

Dimension: 1.75" w x 0.44" h

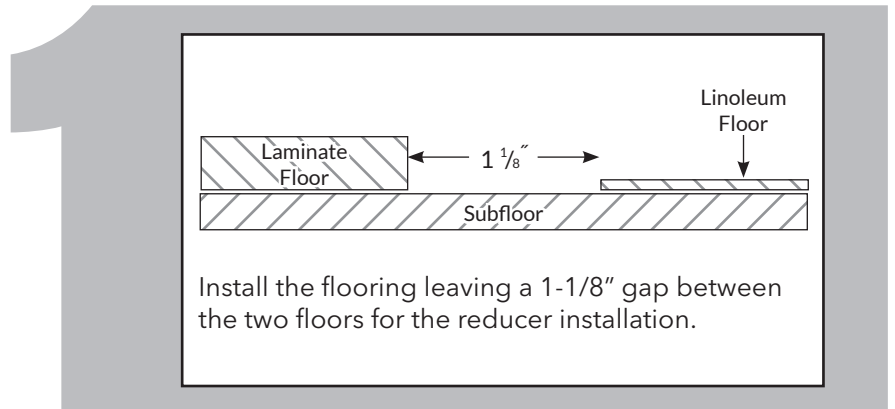
M01

LAMINATE MULTI-PURPOSE REDUCER

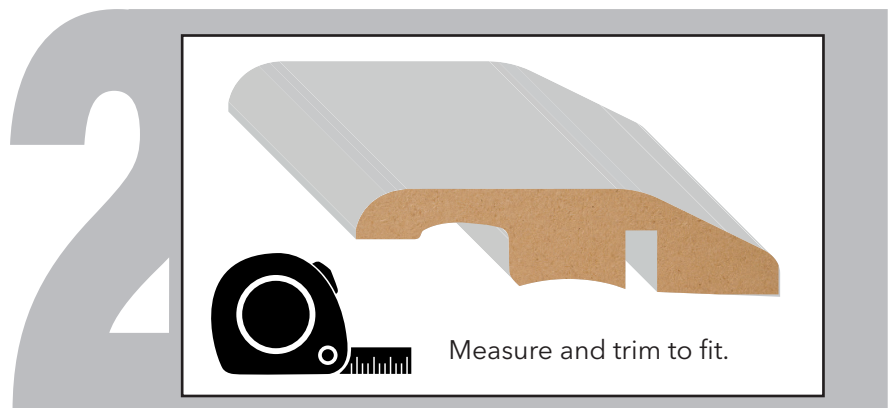
Used to fill the gap between two floors of unequal height or carpet.

Used with floors 7-9mm in height.

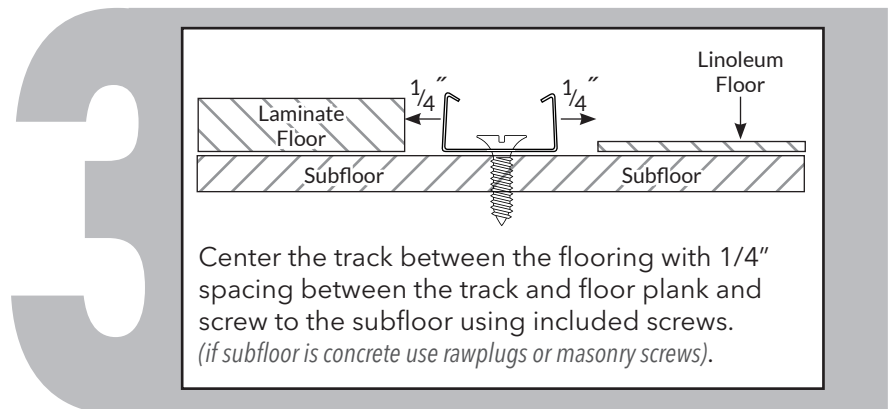
Surface: Wear resistant laminate
Core Material: Moisture resistant MDF



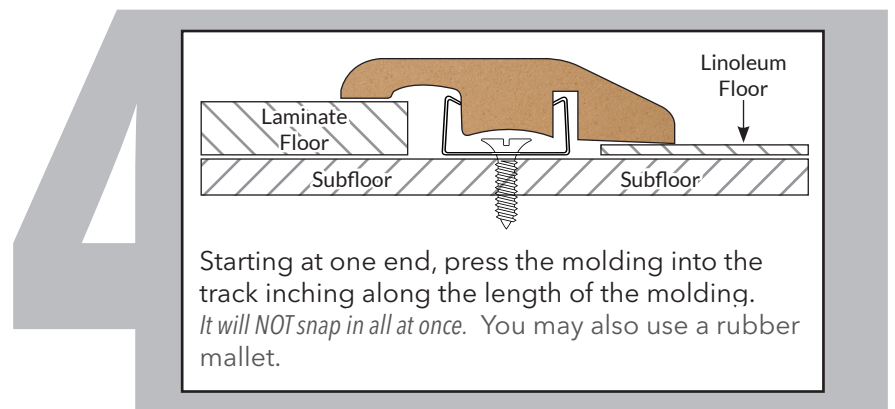
Install the flooring leaving a 1-1/8" gap between the two floors for the reducer installation.



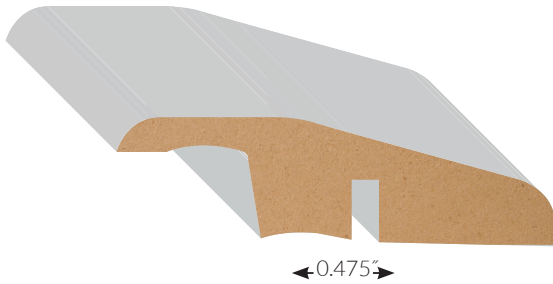
Measure and trim to fit.



Center the track between the flooring with 1/4" spacing between the track and floor plank and screw to the subfloor using included screws. (if subfloor is concrete use rawplugs or masonry screws).



Starting at one end, press the molding into the track inching along the length of the molding. It will NOT snap in all at once. You may also use a rubber mallet.



Dimension: 2.07" w x 0.614" h

M02

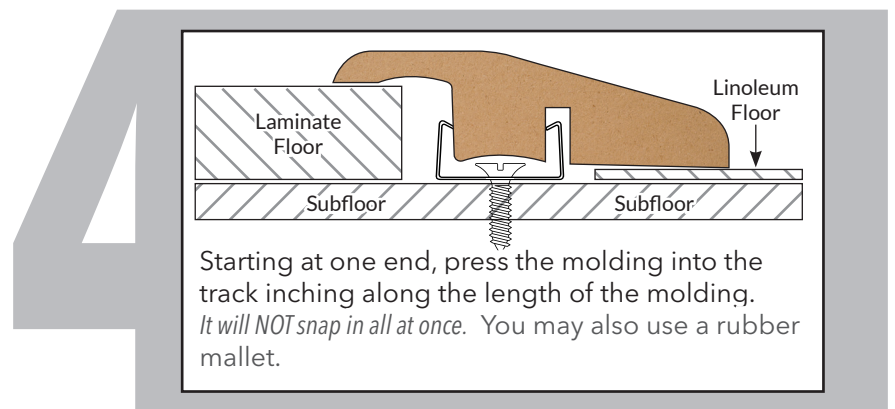
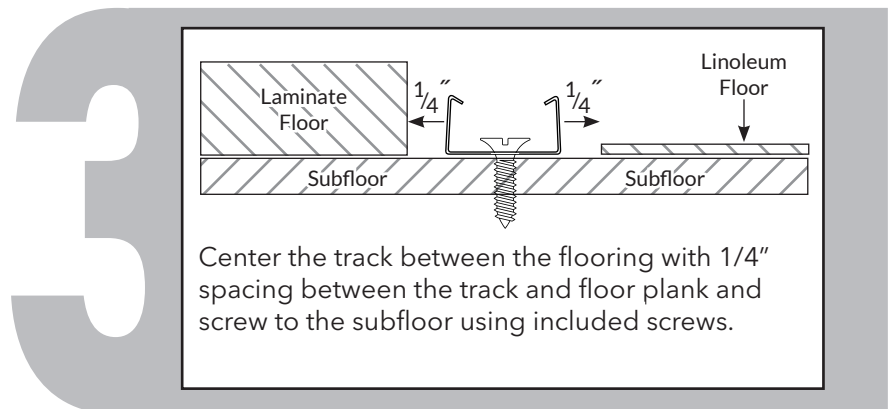
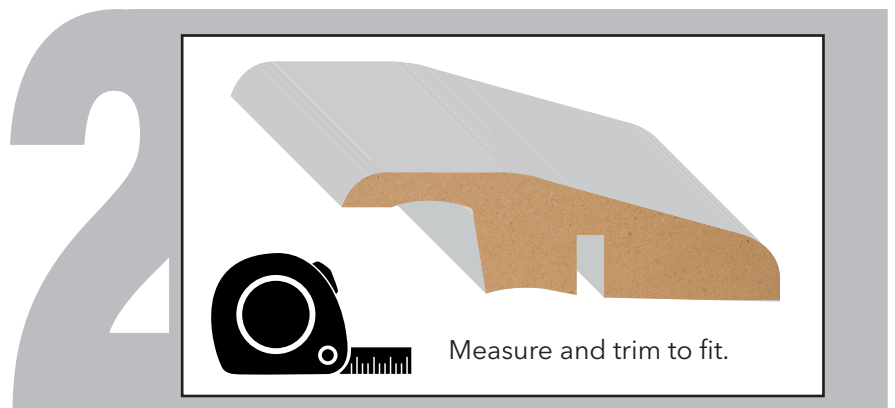
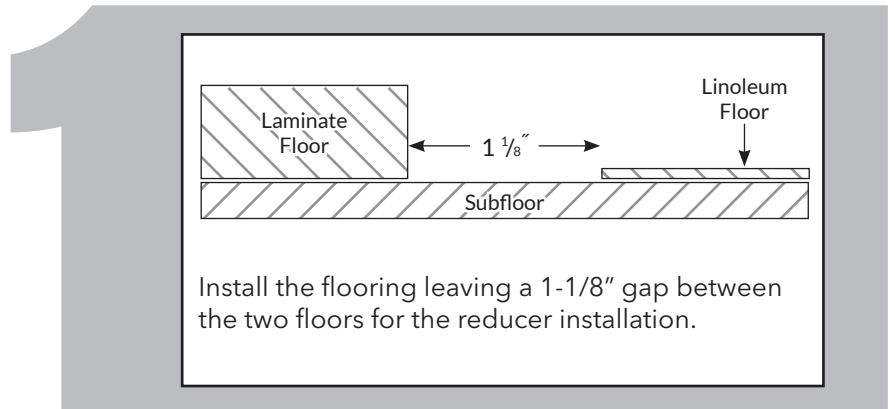
LAMINATE

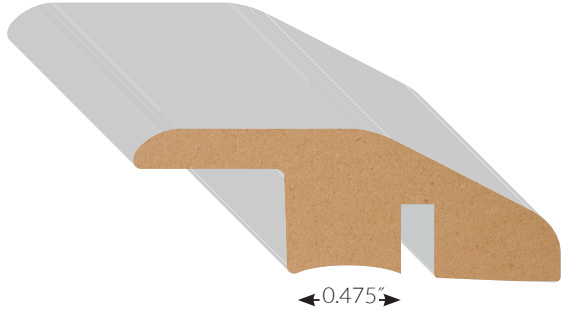
MULTI-PURPOSE REDUCER

Used to fill the gap between two floors of unequal height or carpet.

Used with floors 10-12mm in height.

Surface: Wear resistant laminate
Core Material: Moisture resistant MDF





Dimension: 1.78" w x 0.624" h

M03

LAMINATE

MULTI-PURPOSE REDUCER

Used to fill the gap between two floors of unequal height or carpet.

Used with floors 10-12mm in height.

Surface: Wear resistant laminate
Core Material: Moisture resistant MDF

1

Laminate Floor 1 1/8" Linoleum Floor
Subfloor

Install the flooring leaving a 1-1/8" gap between the two floors for the reducer installation.

2

Measure and trim to fit.

3

Laminate Floor 1/4" 1/4" Linoleum Floor
Subfloor Subfloor

Center the track between the flooring with 1/4" spacing between the track and floor plank and screw to the subfloor using included screws.

4

Laminate Floor Linoleum Floor
Subfloor Subfloor

Starting at one end, press the molding into the track inching along the length of the molding. *It will NOT snap in all at once.* You may also use a rubber mallet.